



SPC ALTC Thermostat Datasheet

Adjustable low water temperature fan cut-out

Application

The ALTC pipe thermostat is used to regulate the medium temperature in the pipe on which the thermostat is mounted. ALTC senses the temperature in the pipe through its contact surface and is therefore suitable to control boiler or flow temperature in central heating systems.

The ALTC pipe thermostat comprises a bimetallic sensor, a contact system and a setting knob. On connection to terminals CO and NC the thermostat breaks on a rise in temperature. On connection to terminals CO and NO the thermostat closes on a rise in temperature.

The ALTC thermostat can be mounted on the pipe without emptying the plant of water.

Technical Data

Temperature range	30 to 90 °C
Temperature scale	external (type 041E0000) internal (type 041E0020)
Temperature differential	8 K
Max. temperature plant surface	Ts90
Max. ambient temperature	55 °C
Storage temperature	-20 to 90 °C
Switch system	SPDT
Enclosure	IP40
Terminal CO-NC	Breaks on temperature rise
Terminal CO-NO	Closes on temperature rise
Switch load	6 (2.5) A, 250 Vac 0.1 A, 250 Vdc
CE marking in accordance with the directives	<ul style="list-style-type: none">• EMC• LVD• RoHS
Environment	Normal
Installation	Installed in any position

Accessories

Product	Code no.
Heat-conductive compound ~ 5 g	041E0110
Heat-conductive compound ~ 1 kg	041E0111

Installation

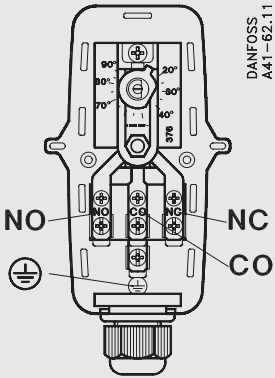
The ALTC thermostats are mounted directly on a pipe with the steel band provided, suitable for pipe sizes G ½ to 3.

A tube containing heat-conductive compound is supplied with the thermostat. The compound has very good heat conducting properties and should be applied between the thermostat contact surface and the pipe.

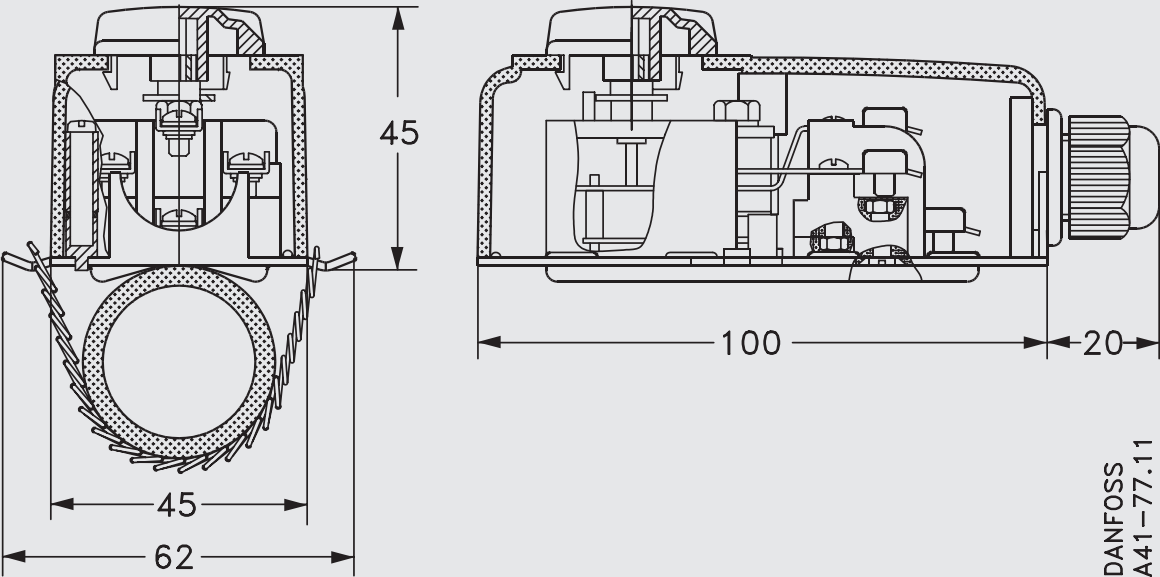
Electrical connections

Internal ground terminal screw in the base, M3.5. Alternatively, plug connection (AMP).

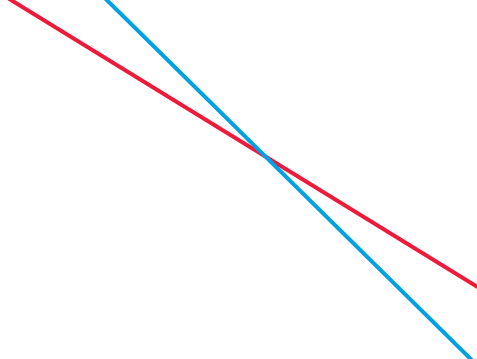
Electrical connection, M3.5 screw terminals or plug (AMP).



Dimensions



Additional documentation on burner components is available on <http://heating.danfoss.com/>



SPC House, Evington Valley Road, Leicester LE5 5LU
T: 0116 249 0044 E: spc@spc-hvac.co.uk
spc-hvac.co.uk

Ref: [SPC ALTC Thermostat Datasheet - Issue 1](#)