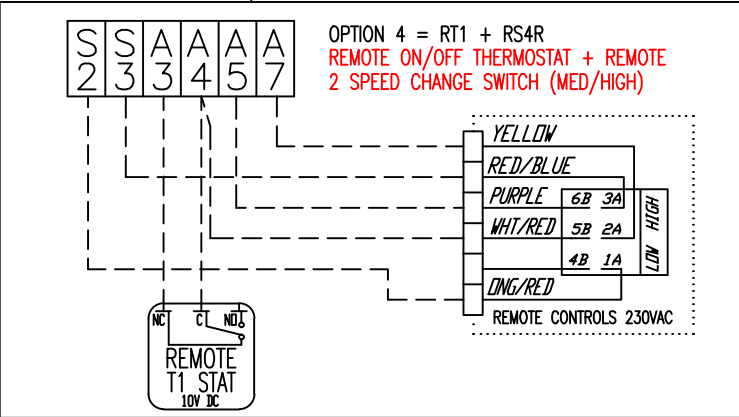
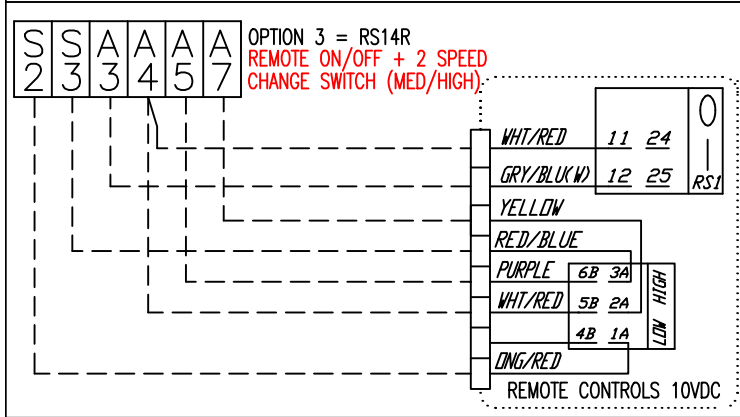


UNIT SPEEDS ARE SELECTED TO SUIT ORDER DETAILS. POTENTIOMETERS ON SPEED CONTROLLER MAY BE ADJUSTED TO ALTER SPEED.

NOTE:- THERMOSTATS SHOWN ARE FOR REFERENCE ONLY, PLEASE SEE MANUFACTURERS WIRING DIAGRAM FOR ADDITIONAL INFORMATION.

CUSTOMER WIRING - - - - -



**IMPORTANT:**  
 ALL INSTALLATION WIRING TO COMPLY WITH CURRENT EDITION OF IEE REGULATIONS. CONNECT MAINS FEED TO UNIT VIA FUSED SPUR BOX OR SIMILAR (3A RATED). OTHER CONNECTION WIRING TO UNIT MUST BE VIA SUPPLIED CUSTOMER CONNECTION BOX (WHERE SHOWN). NON COMPLIANCE WITH ABOVE MAY RESULT IN VOIDING OF WARRANTY.

|     |     |          |     |      |  |         |
|-----|-----|----------|-----|------|--|---------|
|     |     |          |     |      | TITLE  |         |
|     |     |          |     |      | CIRRUS UNIT HEATER<br>EC ELECTRIC 9kW 3 PHASE<br>OPTIONS GUIDE |         |
| 1   |     | 11/05/23 | SB  | -    | DRG No.  | WUH03   |
| ISS | ECN | DATE     | DRN | CHKD |  | ISSUE 1 |