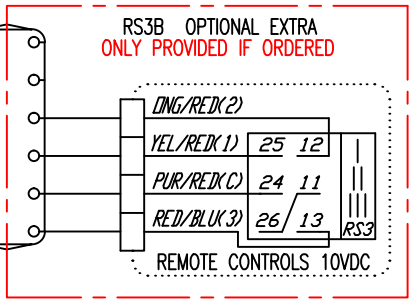
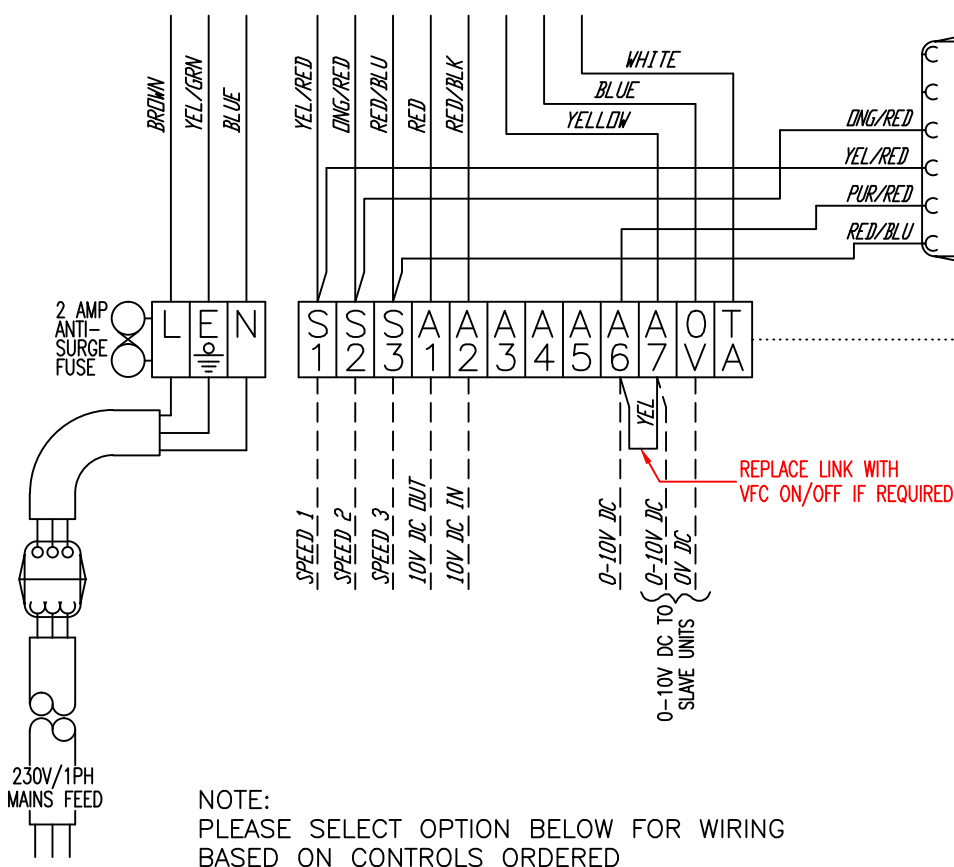
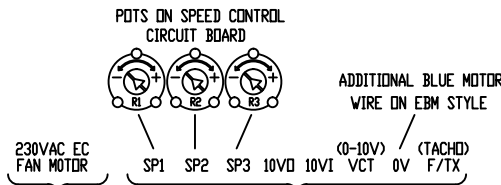


NOTE:- THERMOSTATS SHOWN ARE FOR REFERENCE ONLY. PLEASE SEE MANUFACTURERS WIRING DIAGRAM FOR ADDITIONAL INFORMATION. CUSTOMER WIRING - - - - -

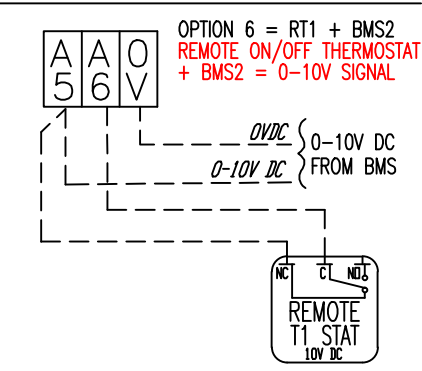
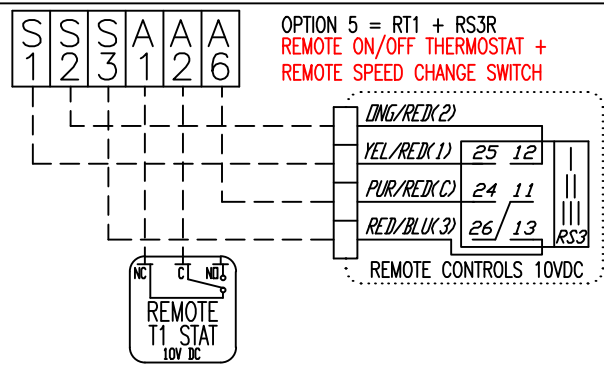
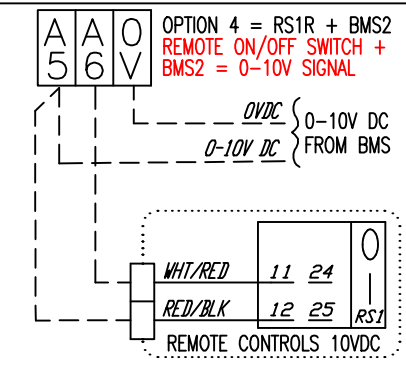
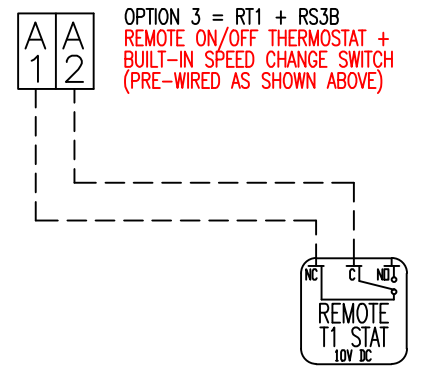
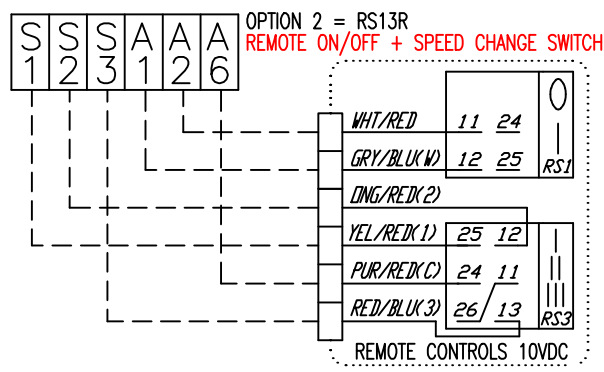
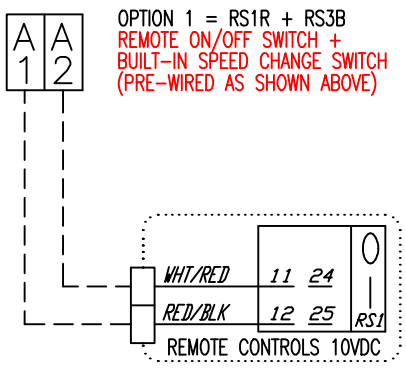
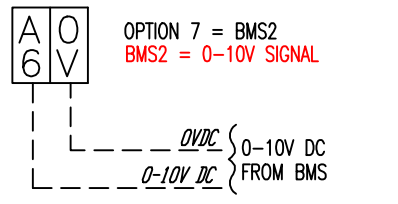
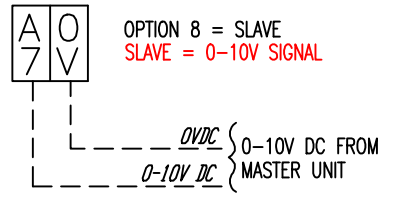
UNIT SPEEDS ARE SELECTED TO SUIT ORDER DETAILS. POTENTIOMETERS ON SPEED CONTROLLER MAY BE ADJUSTED TO ALTER SPEED.



EC LOW VOLT MOTOR PLATE

NOTE: PLEASE SELECT OPTION BELOW FOR WIRING BASED ON CONTROLS ORDERED

CUSTOMER WIRING



IMPORTANT: ALL INSTALLATION WIRING TO COMPLY WITH CURRENT EDITION OF IEE REGULATIONS. CONNECT MAINS FEED TO UNIT VIA FUSED SPUR BOX OR SIMILAR (3A RATED). OTHER CONNECTION WIRING TO UNIT MUST BE VIA SUPPLIED CUSTOMER CONNECTION BOX (WHERE SHOWN). NON COMPLIANCE WITH ABOVE MAY RESULT IN VOIDING OF WARRANTY.

SPC HOUSE, Evington Valley Rd,
Leicester. LE5 5LU
TEL:-0116-2490044.FAX-2490033
E-MAIL :- SPC@SPC-HVAC.CO.UK

3	MASTER/SLAVE ADDED	28/07/23	SB	RM
2	VFC LINK ADDED	13/07/23	AN	RM
1		12/04/23	AN	RM
ISS	ECN	DATE	DRN	CHKD

TITLE
CIRRUS UNIT HEATER
EC OPTIONS GUIDE

DRG No. **WUH01** ISSUE **3**